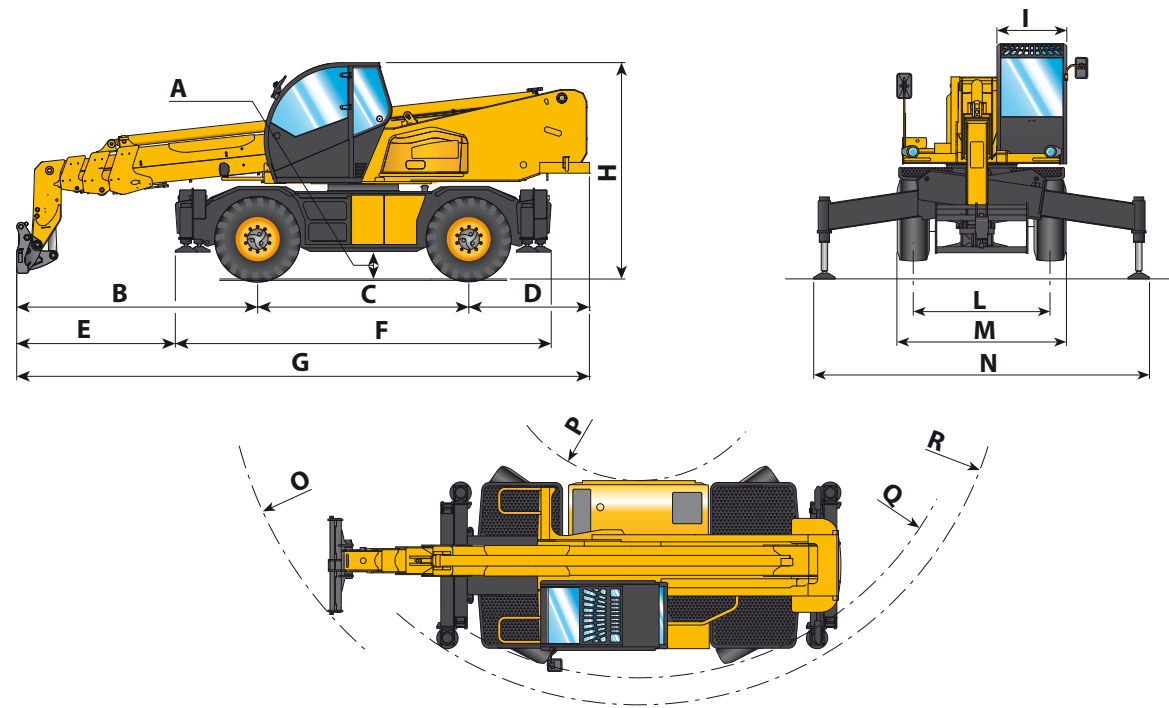


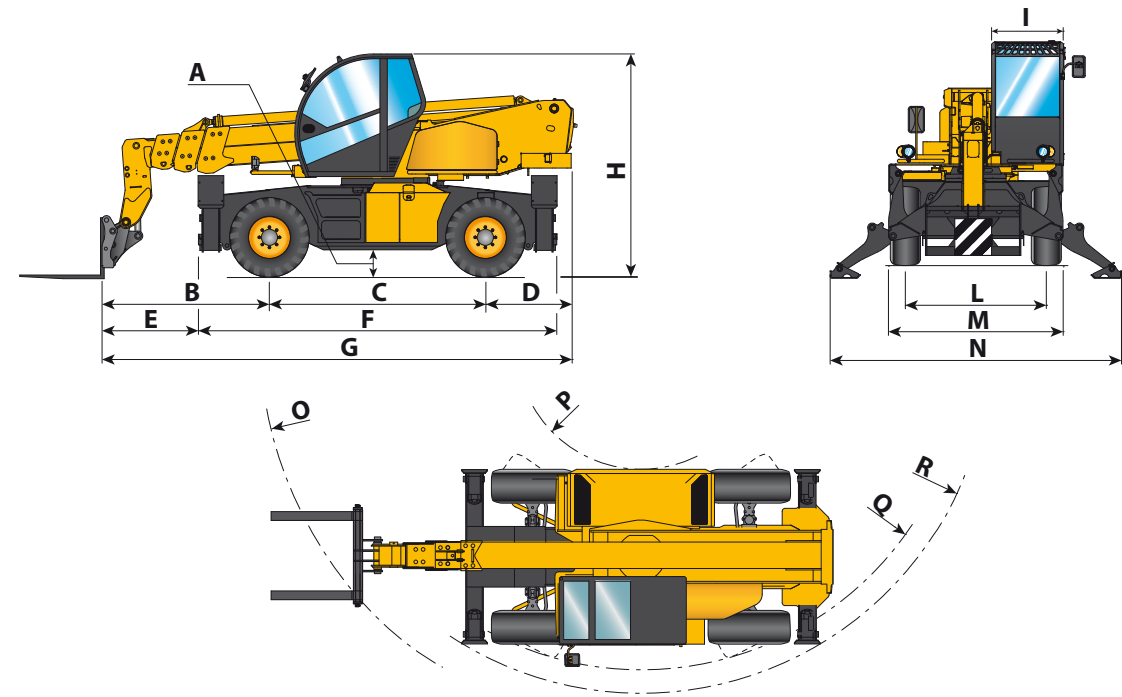
DIMENSIONS	40.25	50.19	50.21	60.16
A	14(360)	14(360)	14(360)	14(360)
B	132(3365)	105(2660)	112(2835)	102(2580)
C	116(2950)	116(2950)	116(2950)	116(2950)
D	66(1685)	45(1150)	54(1365)	47(1190)
E	86(2195)	59(1510)	66(1665)	62(1580)
F	208(5290)	208(5290)	208(5290)	194(4940)
G	315(8000)	266(6760)	281(7150)	265(6720)
H	119(3025)	119(3025)	119(3025)	119(3020)
I	39(980)	39(980)	39(980)	39(980)
L	76(1920)	76(1920)	76(1920)	76(1920)
M	94(2380)	94(2380)	94(2380)	94(2380)
N	200(5070)	189(4800)	200(5070)	150(3820)
O	243(6175)	215(5450)	220(5585)	212(5380)
P	67(1700)	67(1700)	67(1700)	67(1700)
Q	174(4430)	174(4430)	174(4430)	174(4430)
R	189(4790)	189(4790)	189(4790)	189(4800)

Measurements expressed in: in(mm)

40.25  
50.19  
50.21



60.16



**DIECI**  
UNITED STATES



PEGASUS 360°



**Dieci United States**  
40851 Route 6 - Wyalusing, PA  
18853  
844-257-7903 Toll free  
[www.diecius.com](http://www.diecius.com)



PERFORMANCE	40.25	50.19	50.21	60.16
Maximum capacity lb(kg)	8600(3901)	10695(4851)	10706(4856)	13220(6000)
Maximum lifting height ft(m)	79.1(24.1)	61.4(18.7)	67.3(20.5)	51.5(15.7)
Maximum horizontal outreach ft(m)	67.6(20.6)	54.1(16.5)	59.4(18.1)	42.64(13.1)
Outreach at maximum height ft(m)	21.5(6.55)	15.4(4.7)	18.4(5.6)	10.8(3.3)
Fork swivelling angle	133°	133°	133°	134°
Pull-out force lbf(daN)	12814.2(5700)	12814.2(5700)	12814.2(5700)	12814.2(5700)
Towing force lbf(daN)	20232.9(9000)	20232.9(9000)	20232.9(9000)	20232.9(9000)
Maximum climb angle	40%	40%	40%	40%
Total weight when empty lb(kg)	38581(17500)	36376(16500)	38669(17540)	36597(16600)
Max speed mph(km/h) *	25(40)	25(40)	25(40)	25(40)

\* referred to wheels having the maximum allowable diameter

BOOM	40.25	50.19	50.21	60.16
Times: empty (in seconds)	Patented compensation system			
Lifting	21.9	21.9	21.9	24.8
Descent	13.8	13.8	13.8	16.5
Extension	44.4	27.8	31.2	24.7
Retraction	23.1	16.9	17.4	11.6
Forward swivelling	3.7	3.7	3.7	5.7
Reverse swivelling	2.3	2.3	2.3	2.5

## ENGINE

Model:	FPT
Rated power HP @ 2200 rpm	96 (130)
Peak power HP @ 1900 rpm	105 (141)
Revolutions per minute (rpm):	2200
Operation:	4-stroke diesel
Injection:	Electronic direct, Common Rail
Number and arrangement of cylinders:	4, vertical in line
Engine size in <sup>3</sup> (cm <sup>3</sup> ):	274.6(4500)
Specific consumption - lb/Btu(g/kWh) @ rpm	1343.7(208) @ 1900
Anti-pollution regulation:	Stage 3B / Tier 4i
* at maximum power	Aftercooler turbo compressor
	Liquid cooling system

## OPTIONALS AND ACCESSORIES

A/C; water heater; pneumatic seat suspension; light on boom head; quick attachment for accessories; radio; anti-theft alarm; glass protection; Led work lights, Transverse levelling device on wheels and others...

(For further customised accessories, please consult your local dealer)

## TRANSMISSION

Hydrostatic transmission with variable displacement pump.

Hydrostatic engine with automatic variation.

Electrical - hydraulic inversion.

Inching pedal for controlled advancement.

Servocontrolled 2-speed gearbox.

## SAFETY DEVICES

Movement block in case of overload, starting only with gear in neutral, running only with driver on board, automatic parking brake with engine stopped. Automatic transversal levelling with outriggers.

Stabilizers block and levelling device with boom up.

## DEVICES AS PER STANDARD

ROPS - FOPS approval, suspension on silentblock, soundproof, ventilation and heating, openable rear glass and hood, double-glaze door with opening in the upper part, adjustable seat with seatbelt. Enables fitting a radio and adjustable steering wheel.

3" TFT Monitor with load indicator and function diagnostics and rev counter, temperature, water and fuel level analogue indicators.

Maximum turret rotation speed adjustment. Digital speedometer.

## TYRES

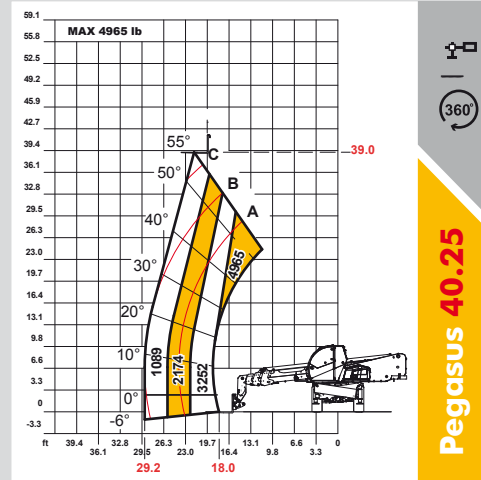
Tyres	18R22.5"
Alternative	18-22.5"

## DIFFERENTIAL AXLES

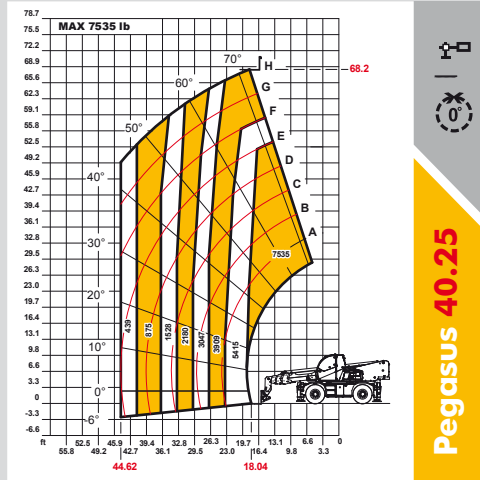
Steering axles: 2, with planetary reduction gears
Steering types: 4 wheels / transversal / 2 wheels
Front axle: levelling
Back axle: oscillating
Oil bath service braking on the 4 wheels with double hydraulic plant and servo brake
Negative action parking brake

## REFUELLING

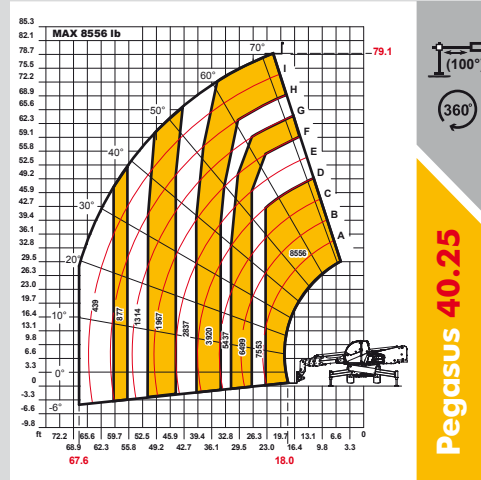
Hydraulic system (total) USA gal(l)	71.3(270)
Diesel tank USA gal(l)	47.5(180)



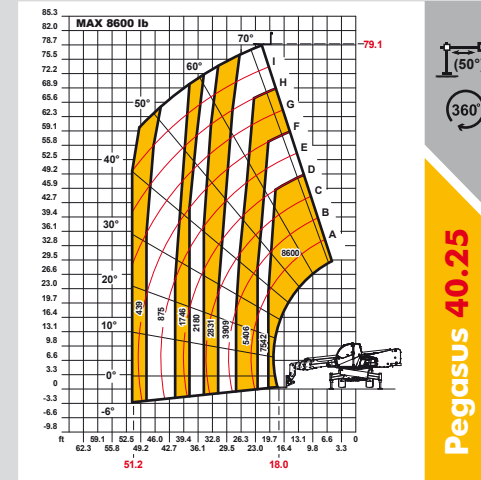
Pegasus 40.25



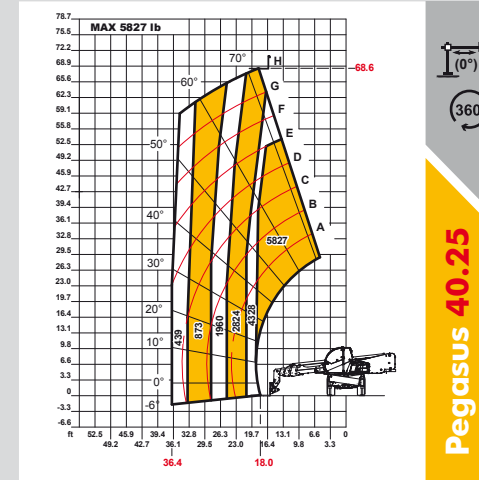
Pegasus 40.25



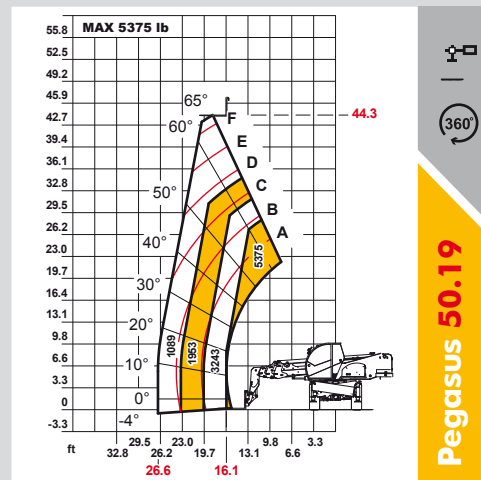
Pegasus 40.25



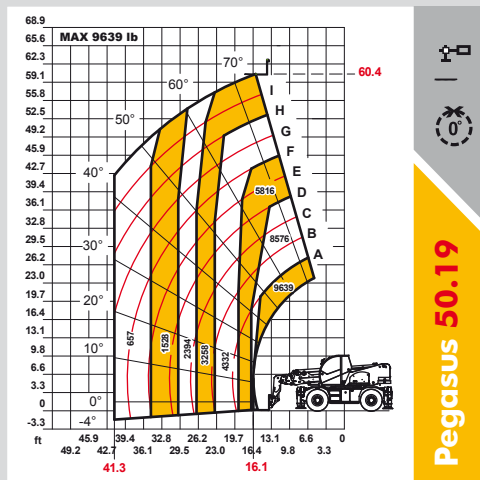
Pegasus 40.25



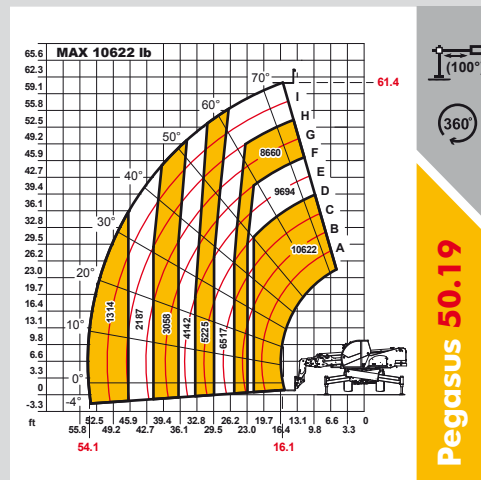
Pegasus 40.25



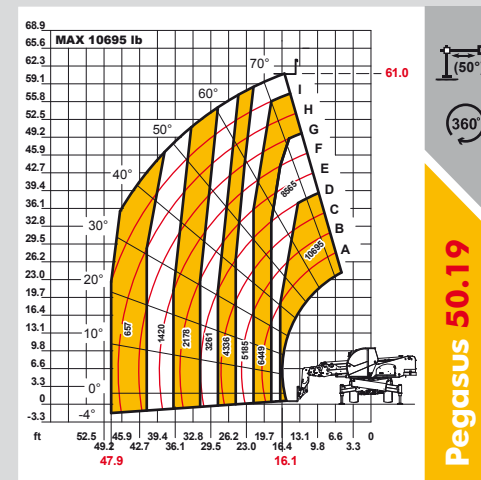
Pegasus 50.19



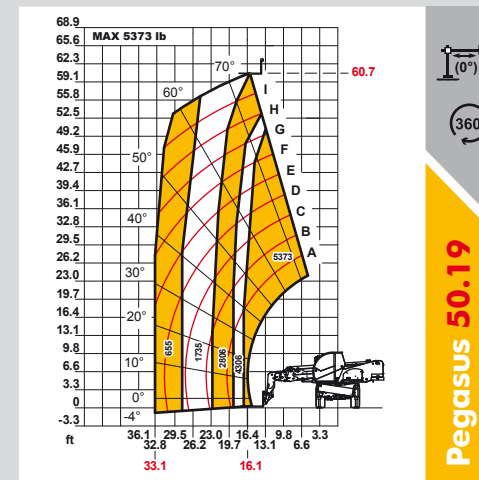
Pegasus 50.19



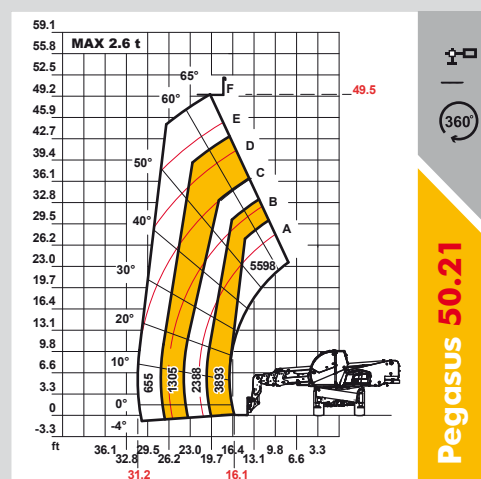
Pegasus 50.19



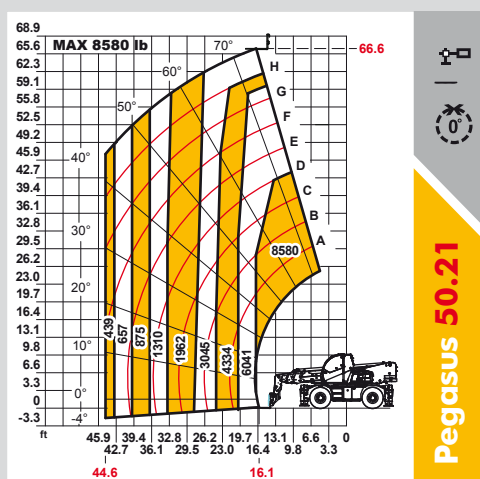
Pegasus 50.19



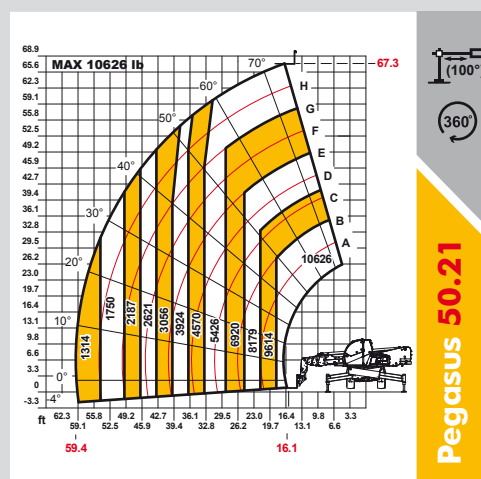
Pegasus 50.19



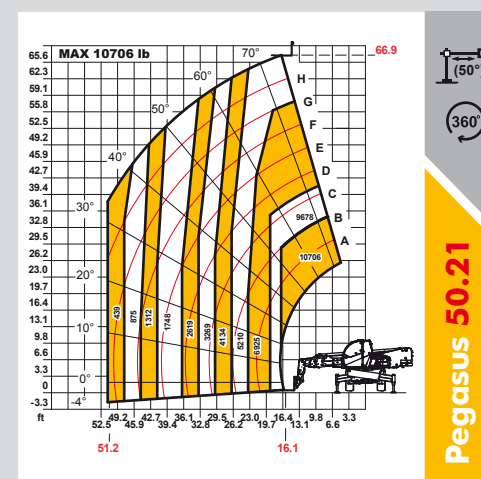
Pegasus 50.21



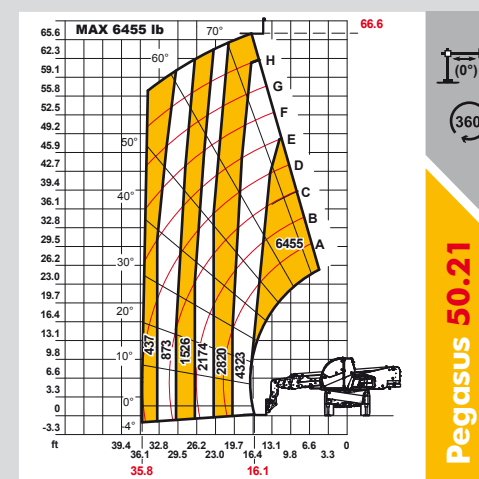
Pegasus 50.21



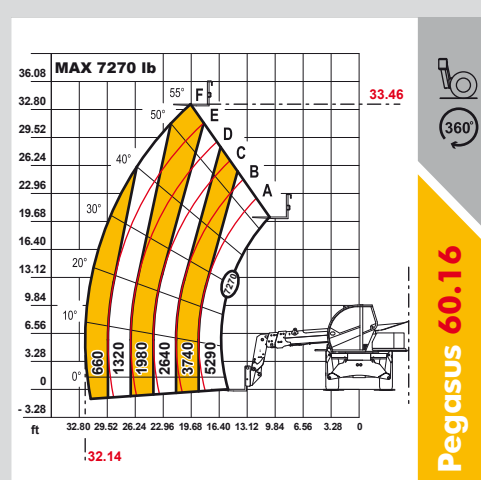
Pegasus 50.21



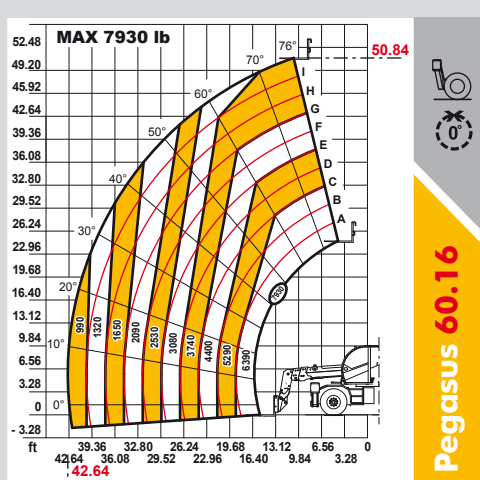
Pegasus 50.21



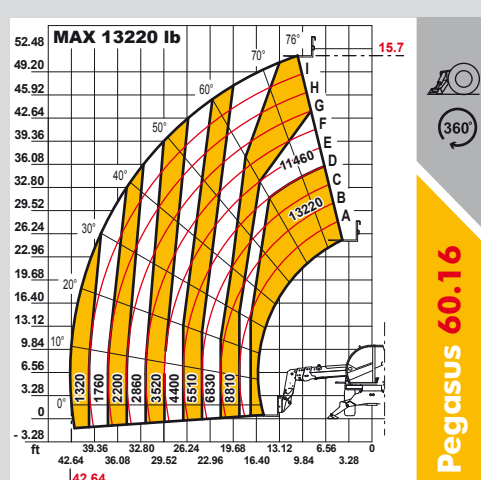
Pegasus 50.21



Pegasus 60.16



Pegasus 60.16



Pegasus 60.16