

**DIECI**  
UNITED STATES



APOLLO 0770



**Dieci United States**  
40851 Route 6 - Wyalusing, PA  
18853  
844-257-7903 Toll free  
[www.diecious.com](http://www.diecious.com)



25.6

PERFORMANCE	
Maximum capacity lb(kg)	5214(2365)
Maximum lifting height ft(m)	19(5.78)
Maximum horizontal outreach ft(m)	11(3.35)
Outreach at maximum height ft(m)	2.5(0.77)
Fork swivelling angle	129°
Pull-out force lbf(daN)	12814.2(5700)
Towing force lbf(daN)	9891.6(4400)
Gradeability	40 %
Total weight empty lb(kg)	10803(4900)
Max speed mph(km/h)	18.6(30)*

\* = referred to wheels with maximum admitted diameter

BOOM	
<b>Times: (in seconds)</b>	
Lifting	7,8
Descent	4,1
Extension	6,1
Retraction	3,4
Forward swivelling	3,5
Reverse swivelling	2,2

Patented compensation system

HYDRAULIC PLANT	
Gear pump with capacity at max. speed USA gal/1'(l/1')	21.13(80)
Max operational pressure psi(bar):	3335.9(230)
Distributor control with joystick:	4 in 1

DIFFERENTIAL AXLES	
Steering axles: 2, with planetary reduction gears	
Steering types: 4 wheels / transversal / 2 wheels	
Front axle: rigid	
Back axle: oscillating	
Oil bath service braking on the front axle	
Negative action parking brake.	

REFUELLING	
Hydraulic plant (total) USA gal(l)	18.5(70)
Fuel tank USA gal(l)	21.1(80)

ENGINE	
Model:	Kubota
Maximum power HP:	74.3
Revolutions per minute (rpm):	2600
Operation:	4-stroke diesel
Injection:	Fuel Injection Common Rail
Number and arrangement of cylinders:	4, vertical in line
Engine size in <sup>3</sup> (cm <sup>3</sup> ):	203.3(3331)
Specific consumption lb/Btu(g/kWh) @ rpm:	1492.3(231) @ 2600
Anti-pollution regulation:	DPF (Tier 4i / Stage 3B)
	Turbo compressor
* at maximum power	Liquid cooling system

DEVICES AS PER STANDARD	
Anti-tipping device with peorative movement block.	
Hydraulic socket for any accessories on the boom head.	
Soundproof closed cab, ROPS-FOPS approved, with heater.	
Self-blocking front axle differential (limited slip 45%).	
Digital speedometer, Tachometer, water temperature gage, fuel level gage, engine oil and water temperature indicator, speedometer, hour meter, clock, DPF clogging gage, LCD display.	

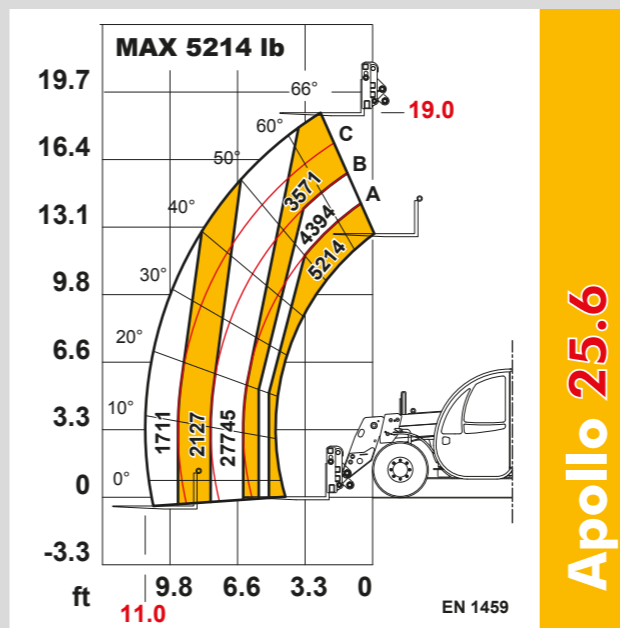
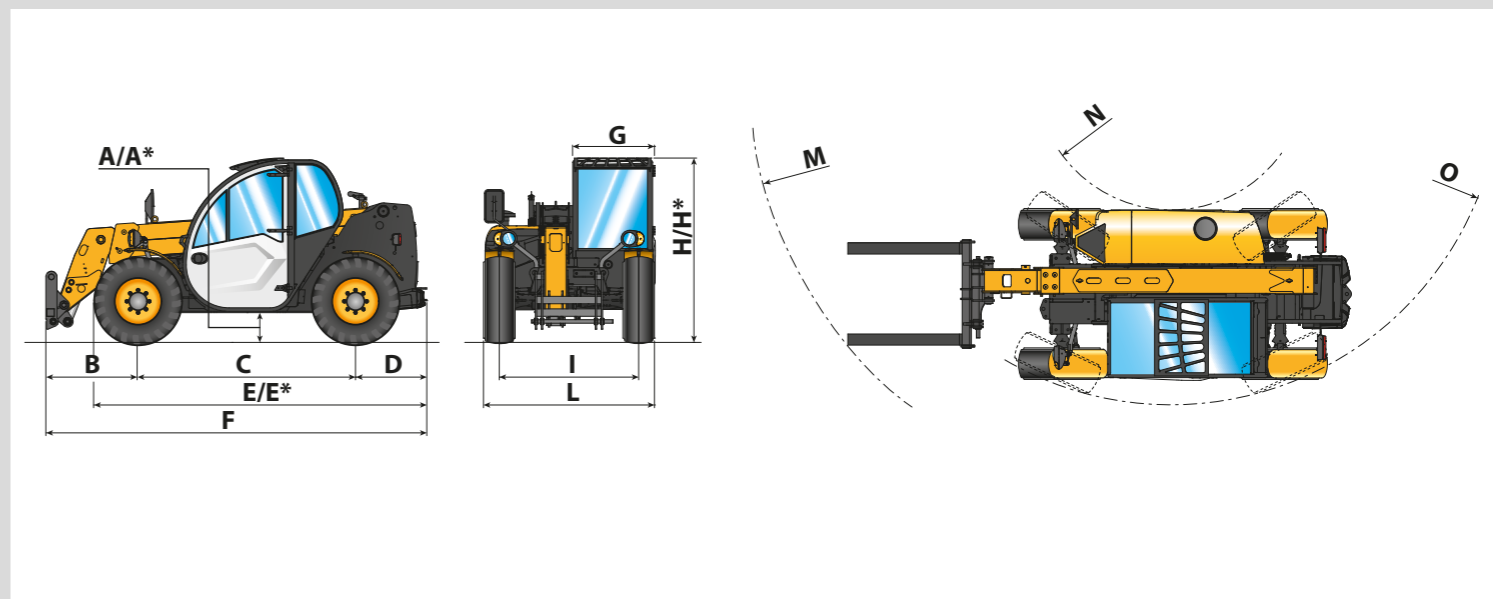
OPTIONALS AND ACCESSORIES	
A/C; Webasto Heater; Digital speedometer; Water Heater; Driver's seat with pneumatic suspension; Light on boom head; Quick coupling for accessories;	
Radio; Anti-theft system; Glass protection, Boom suspension.	
(For additional customizations, contact the area dealer)	

TRANSMISSION	
Hydrostatic transmission with variable flow pump.	
Hydrostatic engine with automatic variation.	
Electrical - hydraulic inversion.	
Inching pedal for controlled advancement.	

TYRES	
Tyres	12 - 16.5"
Alternative	12.0/75 - 18"

DIMENSIONS	
<b>A/A*</b>	11(270)/13(320)*
<b>B</b>	39(985)
<b>C</b>	93(2350)
<b>D</b>	30(765)
<b>E/E*</b>	139(3535)/141(3585)*
<b>F</b>	162(4125)
<b>G</b>	34(860)
<b>H/H*</b>	77(1950)/79(2000)*
<b>I</b>	59(1500)
<b>L</b>	73(1850)
<b>M</b>	179(4540)
<b>N</b>	57(1460)
<b>O</b>	140(3555)

Measurements expressed in: in(mm)



**Apollo 25.6**